

LAUNDRY SHELF

PLANS



DISCLAIMER

The tips, techniques, suggestions, and tutorials on Crafted by the Hunts are not error-proof, rather they are methods that have worked for Zoe and Andrew at some point. We are not licensed contractors and any advice found on Crafted by the Hunts should not be taken as professional advice.

Working with power tools, DIY, and home improvement have inherent risks. Safety should always be your number 1 priority. Follow the manufacturer's instructions for all items and tools and adhere to your local building code and homeowner's association bylaws. Extra precautions and additional research are always advised and Crafted by the Hunts (and it's writers) cannot be held responsible for your personal safety or the outcome of your home improvement undertakings. [Please see our full disclosure here.](#)

REQUIRED TOOLS

- Drill
- Miter saw
- Electric sander
- Nail gun
- Kreg K4 (or any pocket hole jig)
- Circular saw
- Iron
- Utility knife

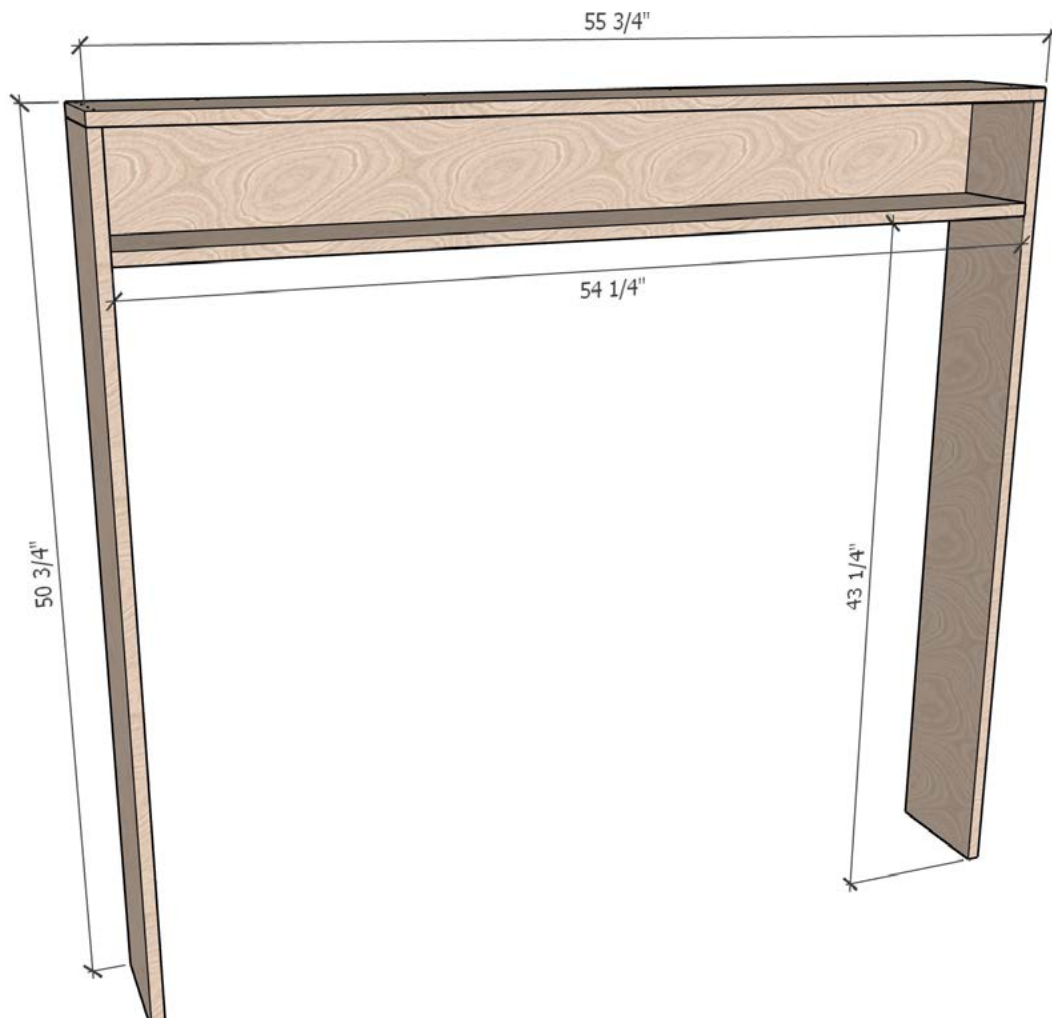
SHOPPING LIST

- 3/4" 4x8 sheet of plywood (I recommend oak)
- Iron-on plywood edge banding (make sure to get the one that matches your wood species)
- Paint or stain (we used Minwax Special Walnut)
- Sealer
- 1.25" Kreg screws

CUT LIST

The following measurements serves as a guide and may differ slightly from your actual measurements.

FOR	BOARD SIZE	QUANTITY	LENGTH (IN)
Sides	3/4" plywood	2	7.5x50
Top	3/4" plywood	1	7.5x55.75
Bottom Shelf	3/4" plywood	1	7.5x54.25
Back	3/4" plywood	1	6x54.25



STEP 1

Measure

Your washer/dryer might have different dimensions than ours.

Measure how wide your washer and dryer are. Make sure to include the normal space that you have between them in your measurements.

You'll also want to measure how high the top of your washer and dryer are.

STEP 2

Cut your plywood

We used our circular saw to cut everything out of a sheet of plywood.

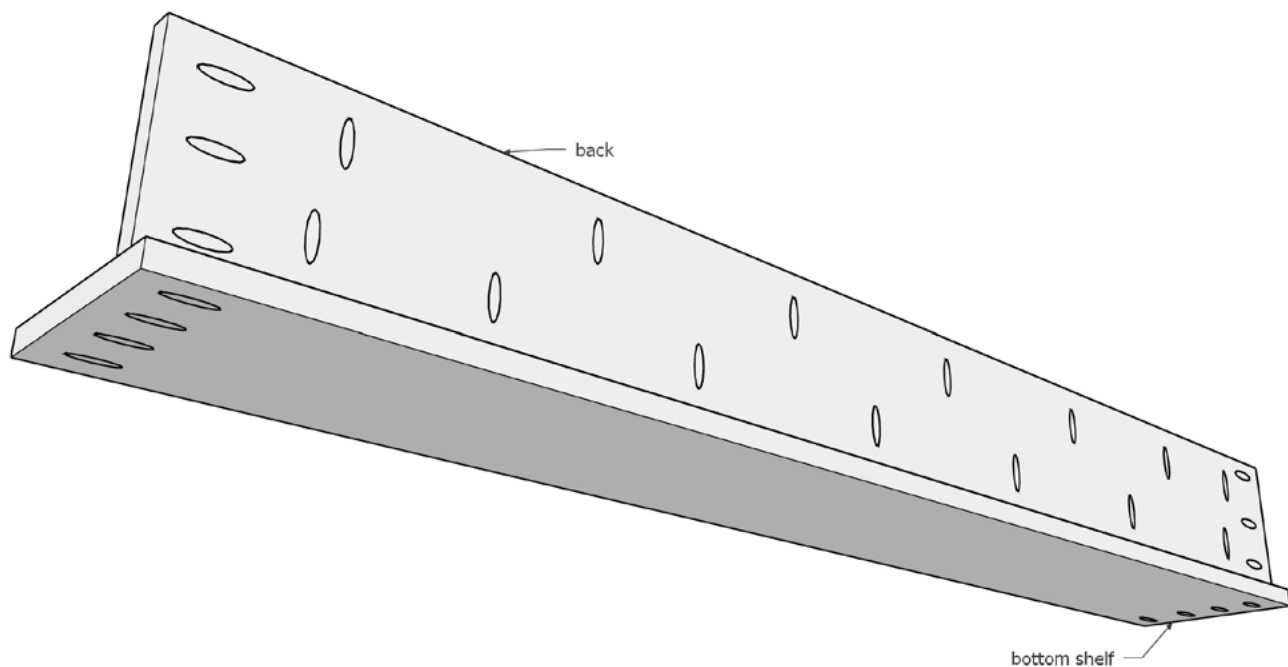
STEP 3

Drill pocket holes

Only two of your pieces will actually get pocket holes.

Place 4 pocket holes on either end of your bottom shelf. These will be used to attach to the legs.

Add 3 pocket holes on either end of the back. Then add 7 pocket holes on both the top and bottom of the back. These will secure the back to both the bottom shelf and top.



STEP 4

Add the plywood edging

Cut your plywood edging to be about 2" longer than the edge you're covering.

Warm up your iron and turn on the steam option. Position your edging on the plywood, trying to center the overhang on all sides.

Slowly run your iron along the edging until the adhesion starts to stick. Run it back and forth a few more times.

Once it feels pretty secure, flip your plywood over and run a sharp utility knife along the edge of the plywood to cut off the excess edging.

Run your iron over the edging again to make sure it's nice and secure.

Then run your iron at an angle across the edges of the plywood. You can also rock the iron back and forth over the edge of the plywood to make sure that the edges are fully pressed down and adhered.

Remember, you only need to put edging on the sides that will actually be seen.

STEP 5

Stain + Seal

Stain and seal your shelf following the instructions on the back of your cans.

STEP 5

Assemble

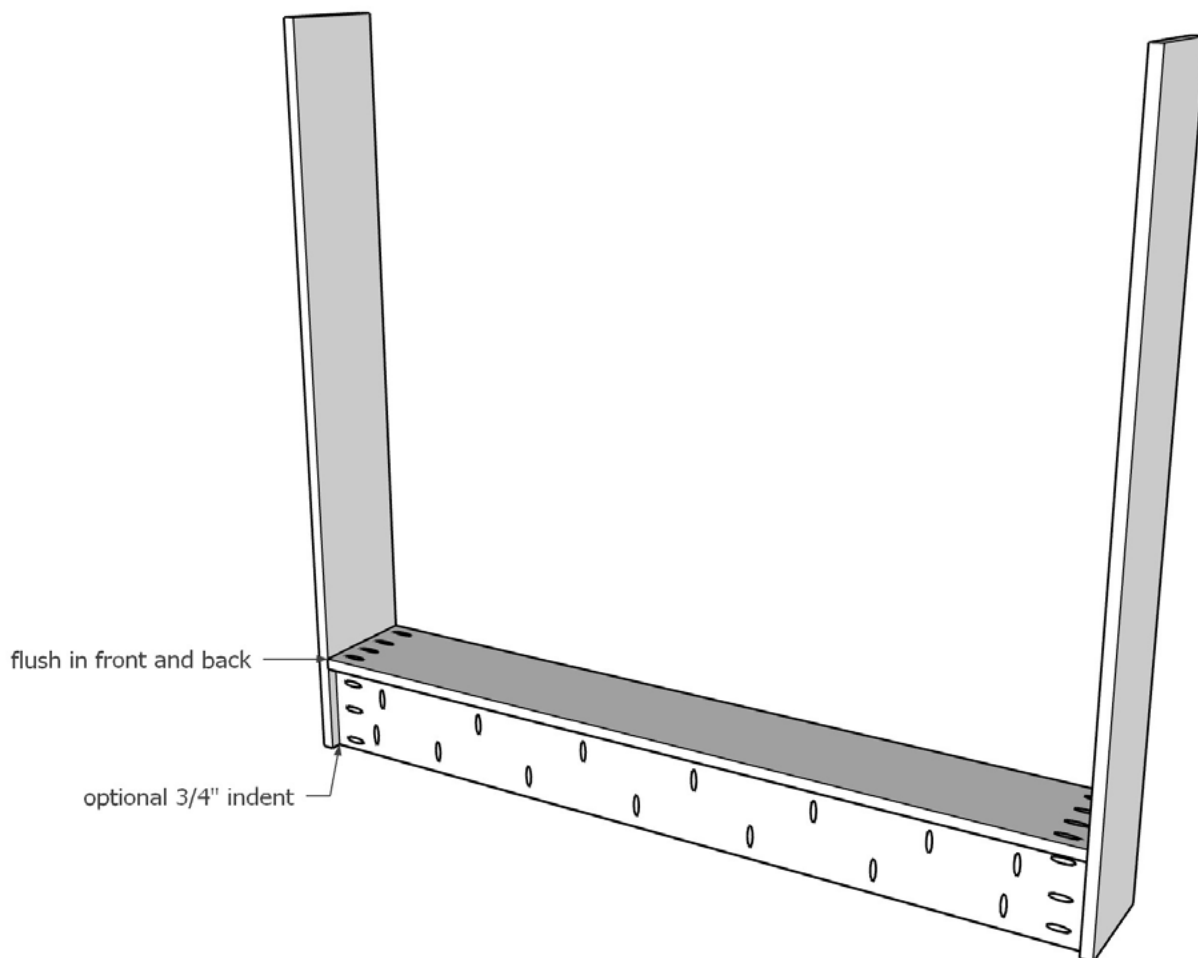
First attach the back of the shelf to the bottom using glue and 1.25" Kreg screws.

Our shelf was also hiding plumbing clean-outs that were about 3/4" off the wall. Because of these, we indented the back 3/4". If you don't have any clean-outs to hide (you probably won't), then you can make the back of your shelf flush with the back of the bottom.

Then attach the legs to the back and bottom shelf using glue and 1.25" Kreg screws.

Attach the top to the back with glue and Kreg screws.

Finally, flip your shelf over and pop and few nails in to secure the top to the legs.



NEW TO DIY?

First off, congratulations! DIY is one of the most rewarding hobbies, and it can save you a whole lot of money. In fact, it saved us over \$3000 on our living room alone.

Learning a new skill can feel like you're learning a new language. There are buzz words and skills that everyone seems to know, but leave you feeling more confused. I remember the countless hours of frustration and all the times we thought we would never figure it out. We wished there was a one-stop shop that would tell us all the things we needed to know about DIY. Sure we could Google things, but we didn't even know what to search for.

All those hours of frustration are exactly why we created the Beginner's Guide to DIY. We distilled years of experience and countless hours of research to 29 pages of no-fluff information and advice, so that you can get up to speed with what you need to know without hours of frustration.

Less trial and error means all your DIY hopes and dreams get to become a reality faster, and better.

[LEARN MORE](#)