

DIY TV CONSOLE

— TUTORIAL —



Cut List

You can access the tutorial online at:

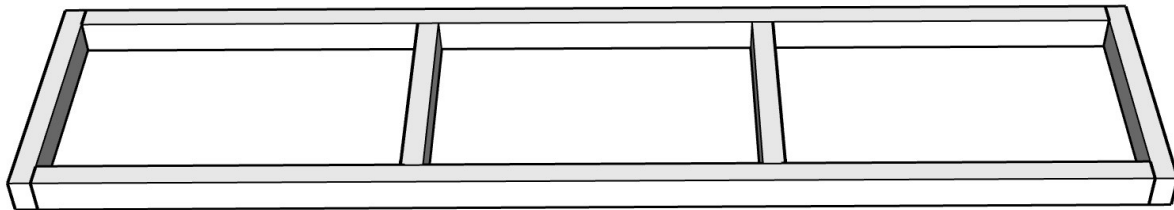
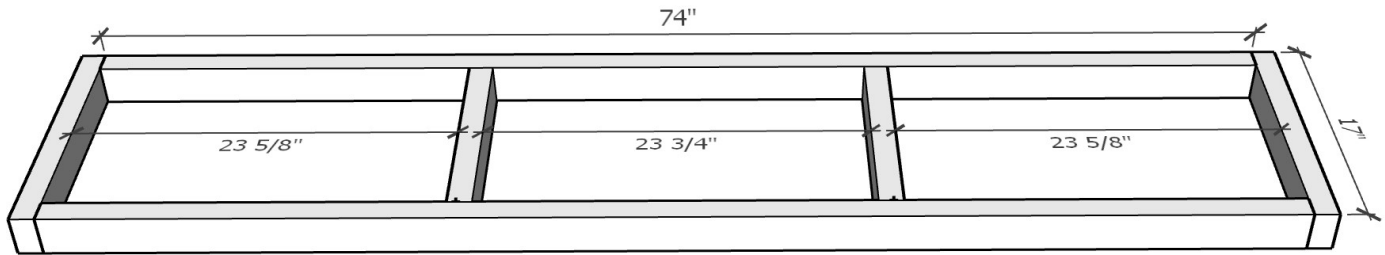
<https://craftedbythehunts.com/diy-farmhouse-tv-console-with-sliding-barn-doors/>

FOR	BOARD SIZE	QUANTITY	LENGTH (IN)
Top	1x10	2	83.5
Sides	.75" plywood/ project panels	2	27x17.25
Back	.25" plywood	1	77x27
Bottom shelf	.75" project panels	1	77x17
Middle shelf	1x8 1x10	1 1	77 77
Middle shelf Supports	1x2	12	10
Frame (top/bottom)	2x3	4	74
Frame (sides)	2x3	4	17
Frame (supports)	2x3	4	14
Face boards (horizontal)	1x4	8	15.25
Face boards (vertical)	1x4	5	27
Doors	1x4	10	21.5
Door trim (top/bottom)	1x2	4	14.5
Door trim (sides)	1x2	4	21.5
Door detail (x)	1x2	you'll cut these to size when making the door	TBD

STEP 1

Make the frames

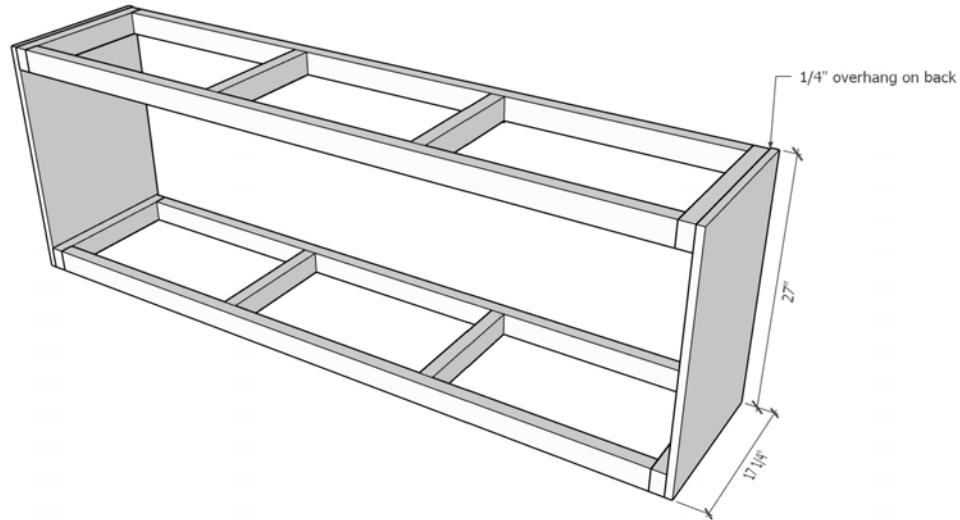
To assemble the frames, create a rectangle with a frame top, bottom, and 2 sides. You can use pocket holes and glue to attach each piece. Then attach the middle supports. The supports should be equally spaced, but do not need to be perfect. Both of these frames will be completely hidden.



STEP 2

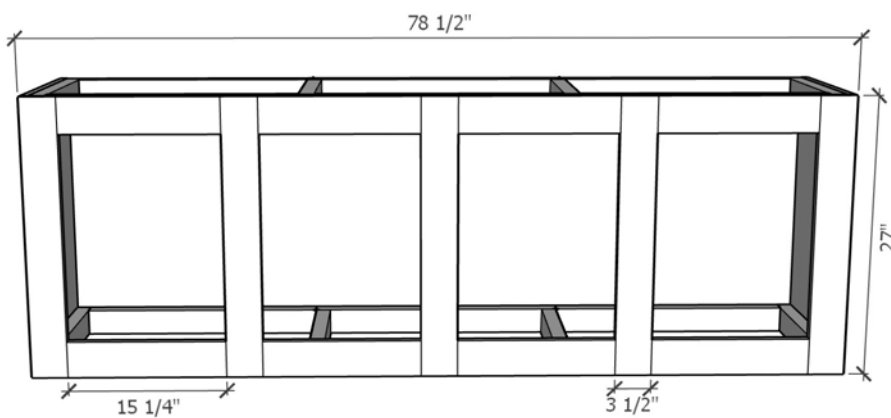
Attach the side panels

Attach the side panels to the sides of the frames with glue and screws. The side panels should be flush with the front and should overhang by .25" in the back. This will allow the .25" back to be flush with the sides when you add it in the end.



STEP 3

Attach the face frame



Lay your TV console on its back so that you can attach the face frame. Attach your face frame to the sides and support frames using glue and nails.

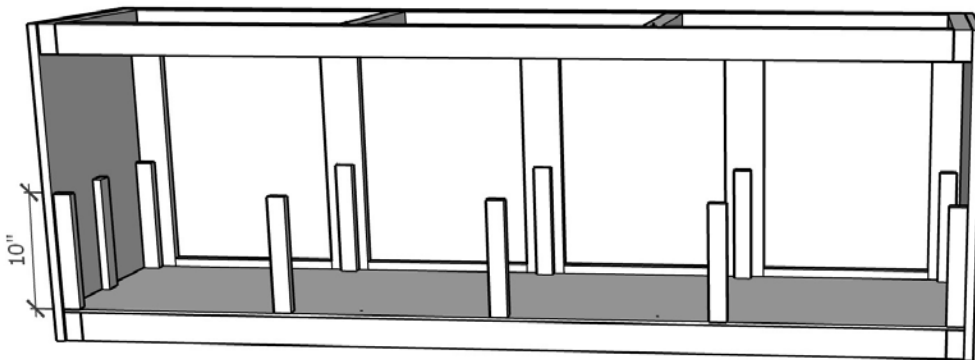
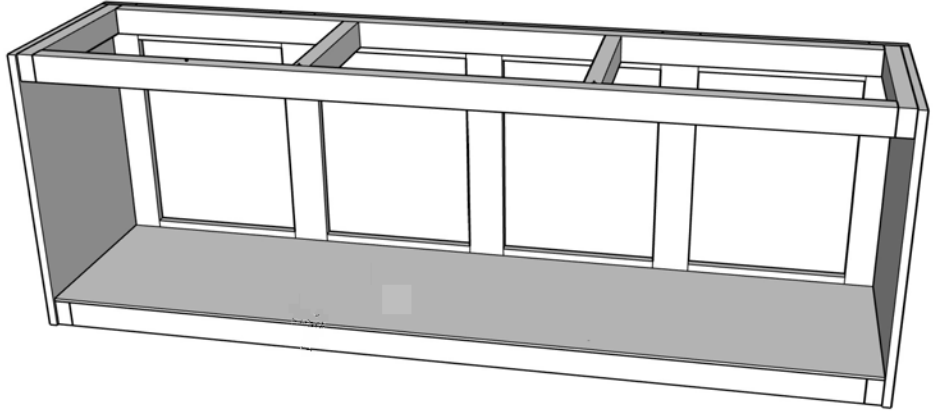
Note: your frame support boards and middle face frame boards will not line up. The entire frame will be covered, so don't worry about this.

STEP 4

Add shelves

Lift your TV console up and lay the bottom shelf on top of the bottom frame. Secure the shelf using glue and nails. The nails should not be any longer than 1.25".

Note: your sides should still overhang by .25" on the back. The bottom shelf should be flush with the bottom frame, not the sides.



Attach the shelf supports to the inside of your 5 vertical face frame boards (so they are hidden from the front) using glue and 1.25" nails. Then add a support to each side.

Next, add the 5 supports along the back. For these, attach them to the bottom using pocket holes and glue.

A few things to note: Make sure your pocket holes are facing the back so you don't see the holes from the front. You'll also want to position these in line with the face frames so they are hidden. They should also be placed .5" from the back of the bottom shelf. I will explain why in the next step.

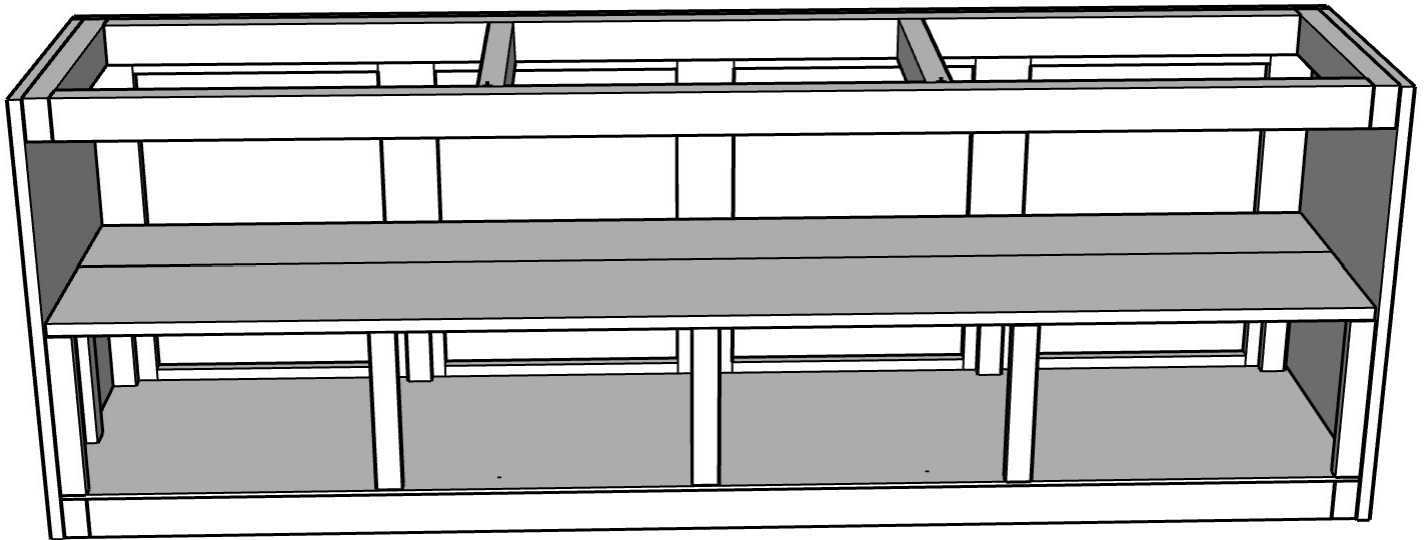
STEP 4 continued

Add shelves

Before we can add the middle shelf, we have to assemble it. To make the middle shelf, attach the 1x8 and 1x10 together using pocket holes and glue.

Alternate directions when drilling your pocket holes. They shouldn't all be going from the 1x8 into the 1x10 or vice versa.

The shelf will only measure 16.5" deep, meaning there will be a 1/2" gap between the back of the shelf and the back of the tv console. We left this gap so that we could run cords between the two shelves. If you would not like a gap, make your frames (and side pieces) 1/2" smaller from the get go.



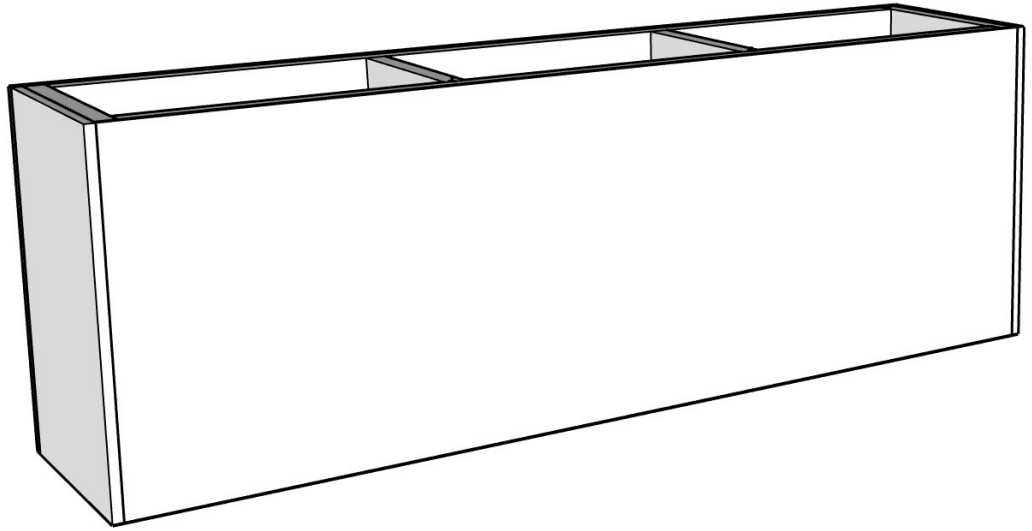
Now it's time to install the middle shelf.

Glue every side of your shelf that will be touching your current TV console frame and glue on top of every shelf support. Place your shelf inside and nail the shelf into the shelf supports for extra security.

STEP 5

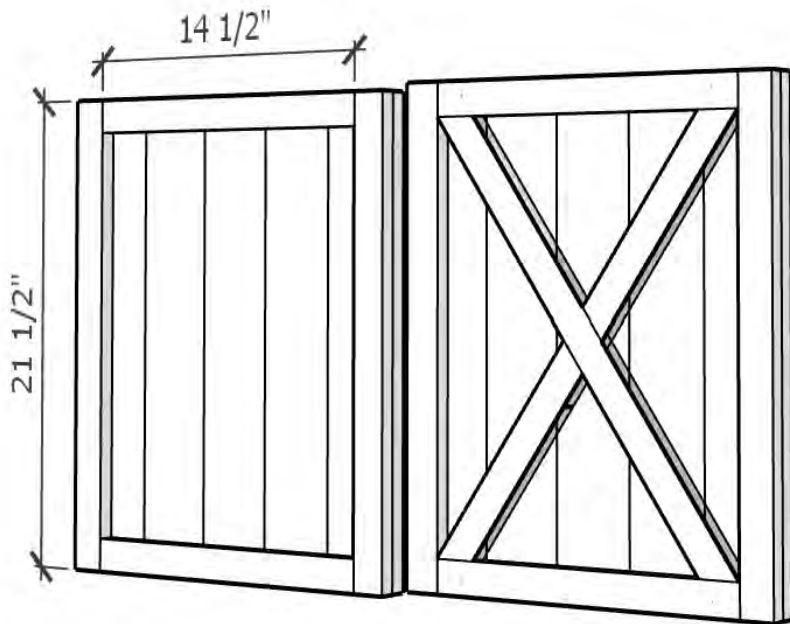
Attach the back

Attach the plywood to the back of your TV console using 1.25" nails. The back should now be flush with your sides.



STEP 6

Make the doors



Build your two doors by attaching (5) 1×4 boards to one another using pocket holes.

“Frame” your doors by gluing and nailing 1×2s top of the boards you just attached.

To create the x pattern, place a 1×2 board over your door and mark where it needs to be cut. Cut using a miter saw. The x-pattern is created using 3 separate pieces. Attach the x pattern using glue and nails.

STEP 7

Sand and stain

We used Dark Walnut stain to finish ours.

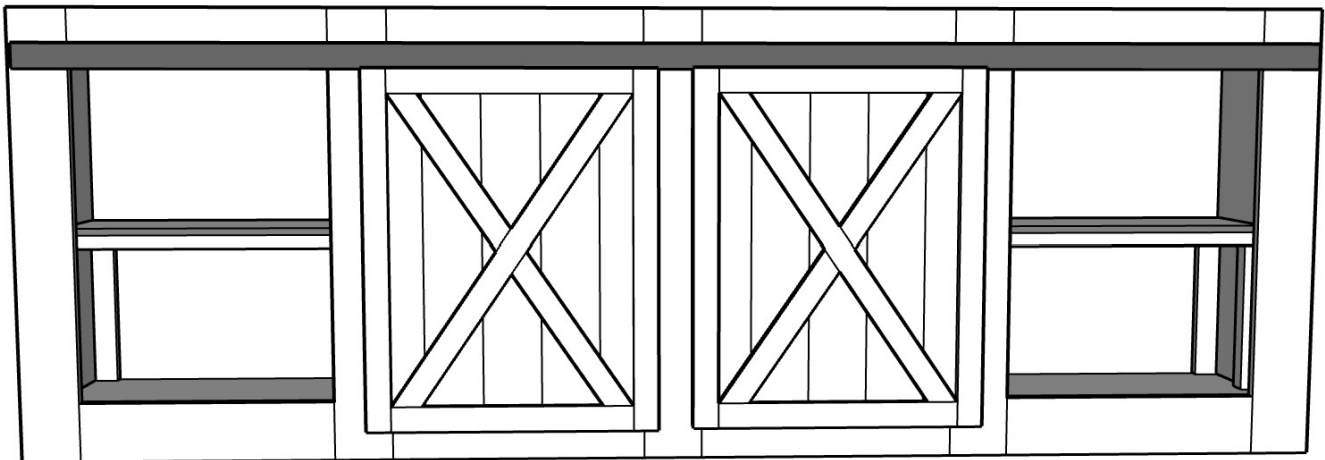
STEP 8

Attach the hardware

The final step is to install the barn door hardware by installing the metal bar to the top face frame and the wheels to the doors using the included bolts.

We attached an additional 1×2 to the 2×3 frame right behind our top face frame in order to make sure the bolts were screwed into something thicker than just the face frame for added stability.

Note: you'll want to make sure that you install it in line with the bottom of the top face frame so the wheels will fit without hitting the top when it slides open and closed.



STEP 9

Attach the top

Build the top of your TV console by attaching the two 1x10 boards with pocket holes. Be strategic with how you layout your two top boards. We were able to closely match the wood grains so it looks like a single board.

Attach the top of your TV console to the top frame using 1.5" metal right angle brackets evenly distributed. The front should hangover by 1/2" and the back will be flush. The sides will overhang by approximately 2.5" on each side.

